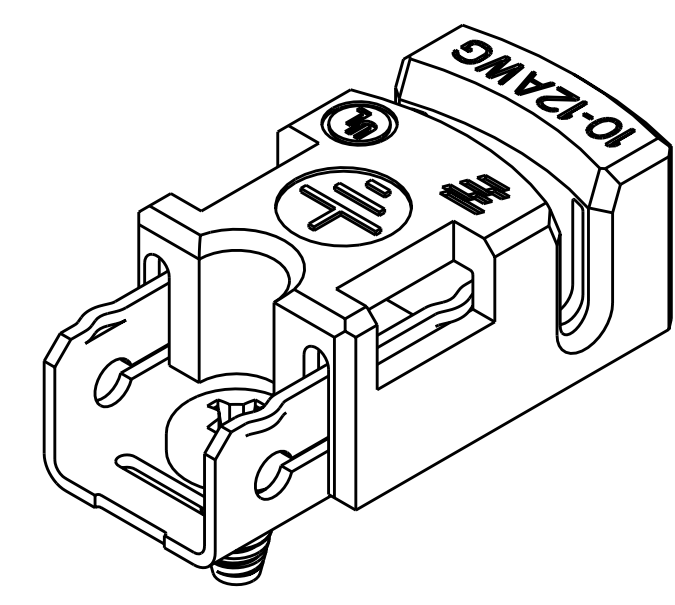
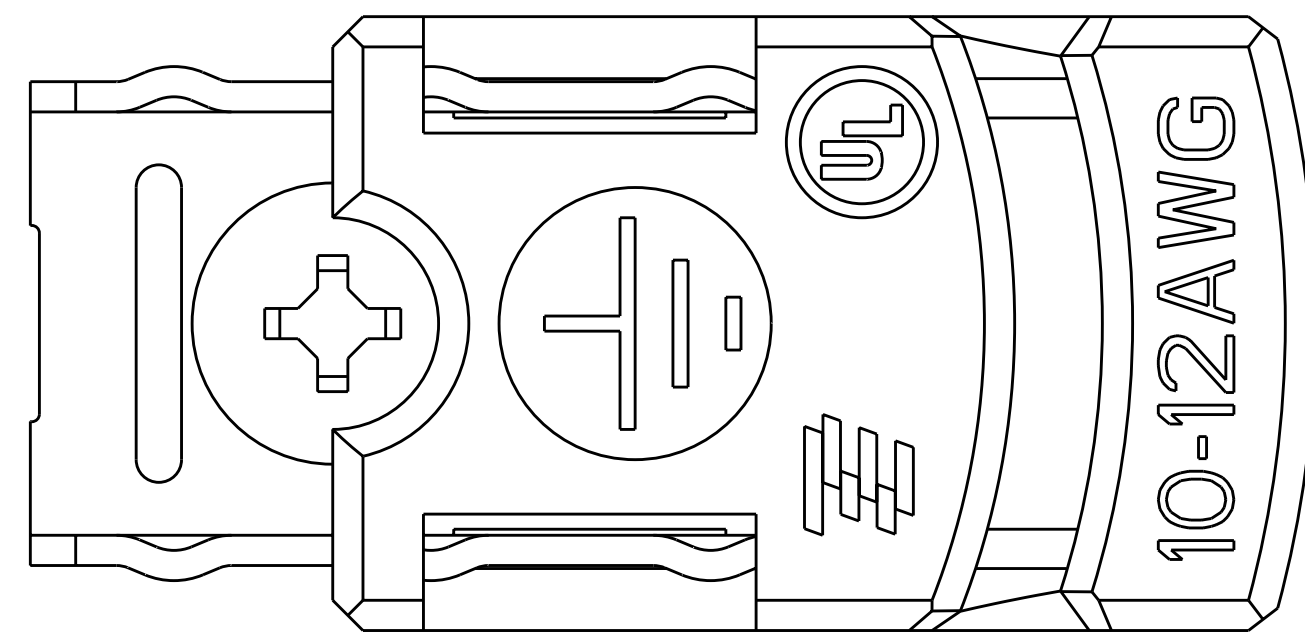
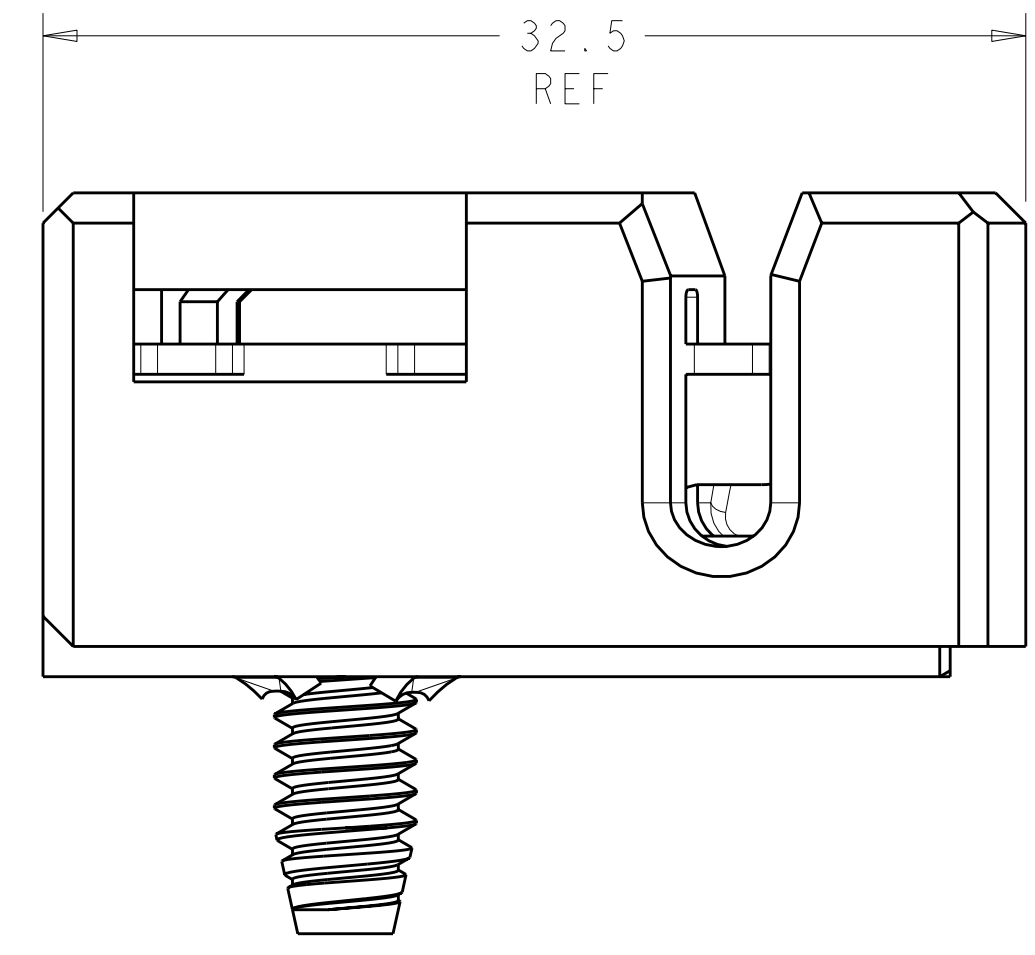
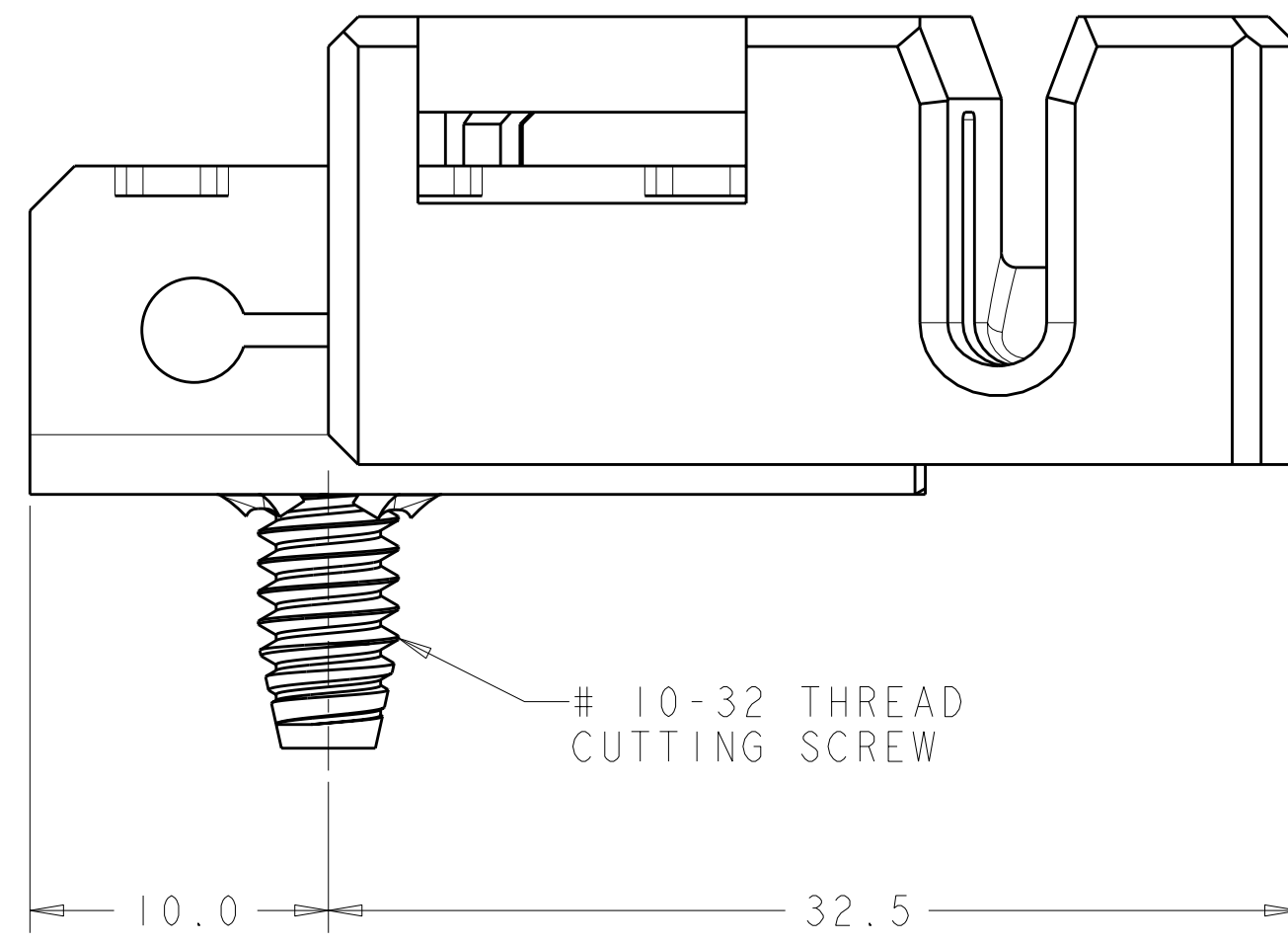
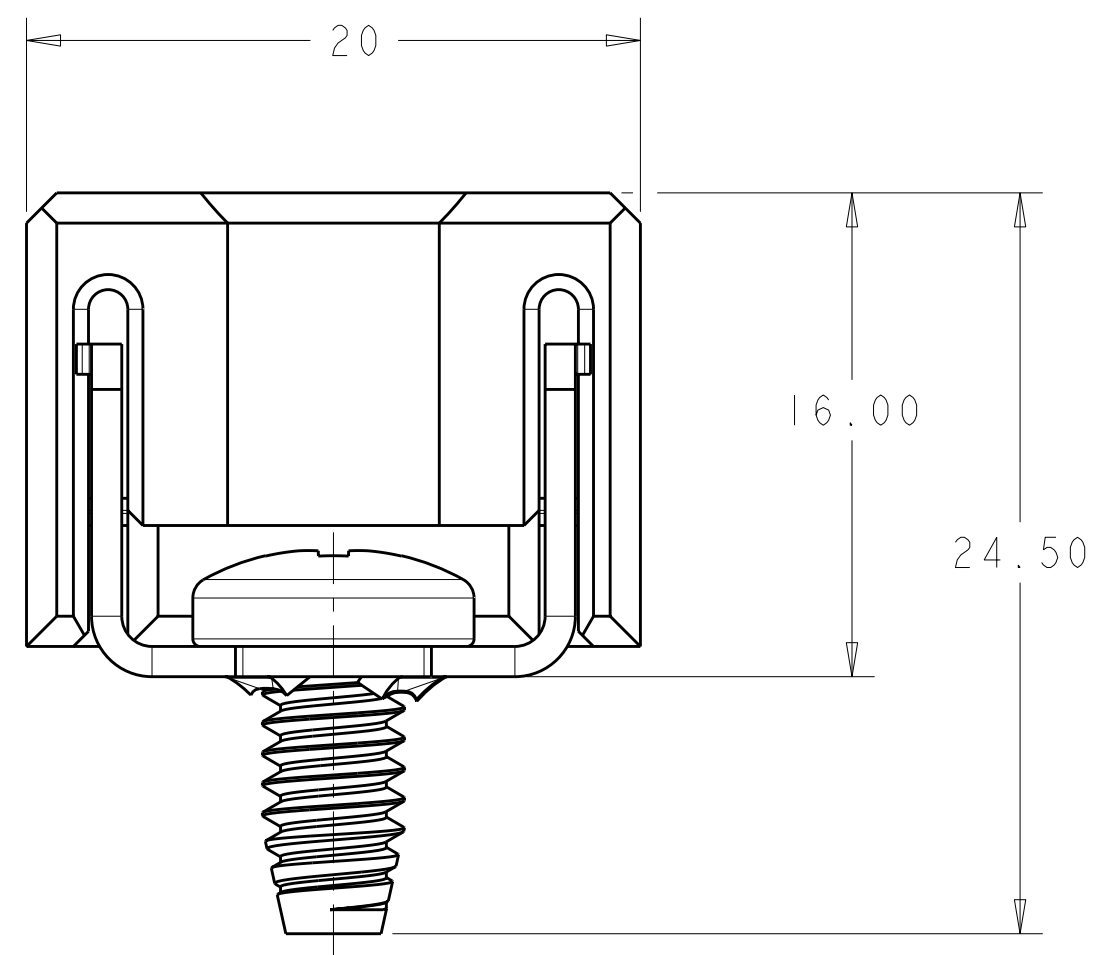


THIS DRAWING IS UNPUBLISHED. RELEASED FOR PUBLICATION 20
 © COPYRIGHT 20 BY TYCO ELECTRONICS CORPORATION. ALL RIGHTS RESERVED.

LOC	DIST	REVISIONS			
P	LTR	DESCRIPTION	DATE	DWN	APVD
	A	RELEASED	01JUN2007	SH	MS
	A1	REVISED ECO-07-026969	19NOV2007	SW	MS
	B	REVISED PER ECO-08-010855	07MAY2008	HMR	MS



SCALE 2:1



CLOSED POSITION

⚠ MATERIALS AND FINISH:
 SLIDER: PBT OR EQUIVALENT, UV FI RATING, BLACK, 94V5
 BASE: COPPER ALLOY; FINISH: Sn OVER Ni
 THREAD-CUTTING SCREW: STAINLESS STEEL

- 2. COMPLIES WITH DIRECTIVE 2002/95/EC (ROHS)
- 3. PATENT PENDING

1954381-1
 PART NUMBER

THIS DRAWING IS A CONTROLLED DOCUMENT FOR TYCO ELECTRONICS CORPORATION. IT IS SUBJECT TO CHANGE AND THE CONTROLLING ENGINEERING ORGANIZATION SHOULD BE CONTACTED FOR THE LATEST REVISION.		DWN MOHAN 31OCT2006	Tyco Electronics Harrisburg, PA 17105-3608	
DIMENSIONS: mm		CHK S. DUESTERHOEFF 01NOV2006	NAME GROUNDING CLIP ASSEMBLY 10-12 AWG SOLID WIRE	
TOLERANCES UNLESS OTHERWISE SPECIFIED: 0 PLC ±- 1 PLC ±0.2 2 PLC ±0.10 3 PLC ±- 4 PLC ±- ANGLES ±3° FINISH		APVD M. STRECKEWALD 01JUN2007	RESTRICTED TO	
MATERIAL		PRODUCT SPEC	SIZE A200779	CAGE CODE C-1954381
		APPLICATION SPEC	SCALE 4:1 SHEET 1 OF 1 REV B	
		WEIGHT	CUSTOMER DRAWING	